

POLAIR

АО «Полаир-Недвижимость»
425000, Республика Марий Эл,
г. Волжск, ул. Промбаза, 1
помещение 6, этаж 1, литер-А3
www.polair.com

ПРОЕКТ:

МОДЕЛЬ:

DB114-S without canap?s

КОЛИЧЕСТВО:

СОГЛАСОВАНИЕ:

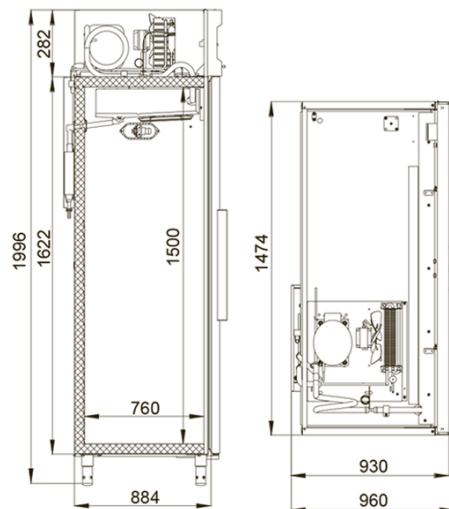
ДАТА:

31.05.2026



DB114-S without canap?s

Recommended retail price: 243 243 rub



Technical specifications

Volume, l:	1400
Environmental conditions (t, °C / humidity, %):	up to +25/up to 60
Dimensions:	1474x960x1996
Unit location:	upper position
Temperature range, °C:	-21...-18
Volume, l:	1400
Power supply system, V/Hz:	230/50
Refrigerant:	R290
Defrost type:	automatic with condensate evaporation system
Thermostat:	electronic control unit
Shelf size, mm:	595x650
Number of shelves:	8
Backlight:	LED, vertical
Equipment group:	Profi
Material of the exterior cladding:	Painted galvanized steel
Door type:	Glass hinged

Series of cabinets:

Standard

Cabinet type:

Low temperature

The manufacturer reserves the right to make changes that do not fundamentally affect the operational properties of the equipment without prior notice.