

POLAIR

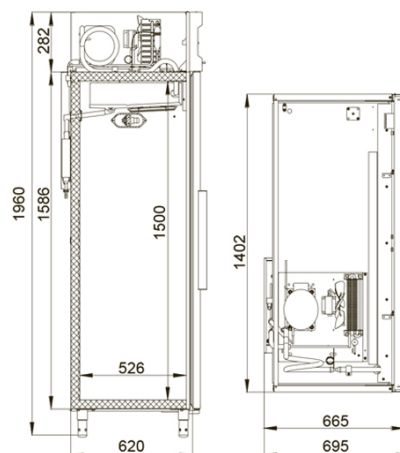
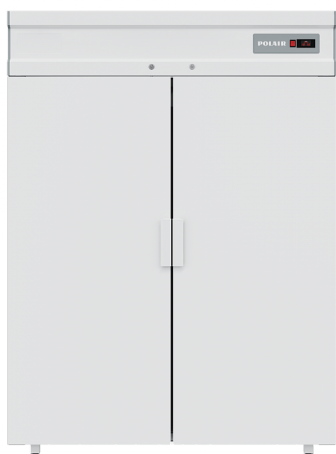
АО «Полаир-Недвижимость»
425000, Республика Марий Эл,
г. Волжск, ул. Промбаза, 1
помещение 6, этаж 1, литер-А3
www.polair.com

ПРОЕКТ: _____
МОДЕЛЬ: CM110-S
КОЛИЧЕСТВО: _____
СОГЛАСОВАНИЕ: _____
ДАТА: 17.04.2026



CM110-S

Recommended retail price: 138 300 rub



Technical specifications

Volume, l:	1000
Environmental conditions (t, °C / humidity, %):	up to +40 / up to 80
Dimensions:	1402x695x1960
Case wall thickness, mm:	43
Unit location:	upper position
Temperature range, °C:	0...+6
Volume, l:	1000
Power supply system, V/Hz:	230/50
Power consumption, W, max.:	550
Daily power consumption, kW/h, max:	3
Cooling type:	dynamic
Refrigerant:	R290
Defrost type:	automatic, by means of heating elements, with condensate evaporation system
Thermostat:	electronic control unit
Shelf size, mm:	595x455

Number of shelves:	8
Backlight:	+
Equipment group:	Profi
Material of the exterior cladding:	Painted galvanized steel
Door type:	Deaf
Series of cabinets:	Standard
Lock:	+
Cabinet type:	Medium temperature

The manufacturer reserves the right to make changes that do not fundamentally affect the operational properties of the equipment without prior notice.