

# POLAIR

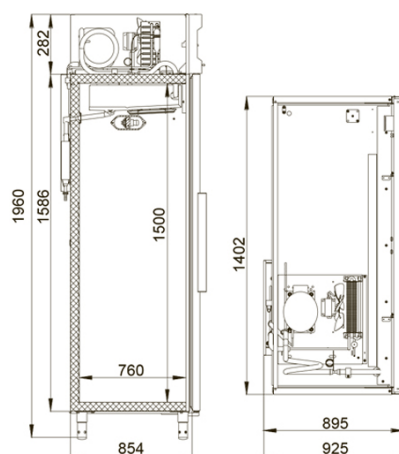
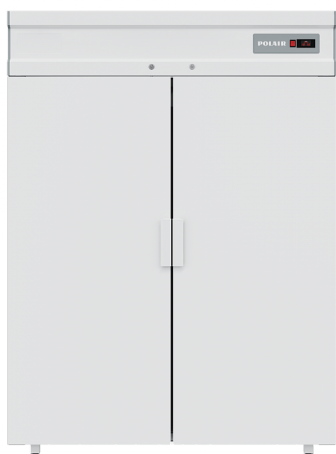
АО «Полаир-Недвижимость»  
425000, Республика Марий Эл,  
г. Волжск, ул. Промбаза, 1  
помещение 6, этаж 1, литер-А3  
[www.polair.com](http://www.polair.com)

ПРОЕКТ: \_\_\_\_\_  
МОДЕЛЬ: CV114-S  
КОЛИЧЕСТВО: \_\_\_\_\_  
СОГЛАСОВАНИЕ: \_\_\_\_\_  
ДАТА: 17.04.2026



## CV114-S

Recommended retail price: 179 000 rub



### Technical specifications

Volume, l:	1400
Environmental conditions (t, °C / humidity, %):	up to +40 / up to 80
Dimensions:	1402x925x1960
Case wall thickness, mm:	43
Unit location:	upper position
Temperature range, °C:	-5...+5
Volume, l:	1400
Power supply system, V/Hz:	230/50
Power consumption, W, max.:	630
Daily power consumption, kW/h, max:	7
Refrigerant:	R290
Defrost type:	automatic with condensate evaporation system
Thermostat:	electronic control unit
Shelf size, mm:	530x650
Number of shelves:	8
Backlight:	+

Equipment group:	Profi
Material of the exterior cladding:	Painted galvanized steel
Door type:	Deaf
Series of cabinets:	Standard
Gastronorm standard:	GN 2/1
Lock:	+
Cabinet type:	Universal

The manufacturer reserves the right to make changes that do not fundamentally affect the operational properties of the equipment without prior notice.