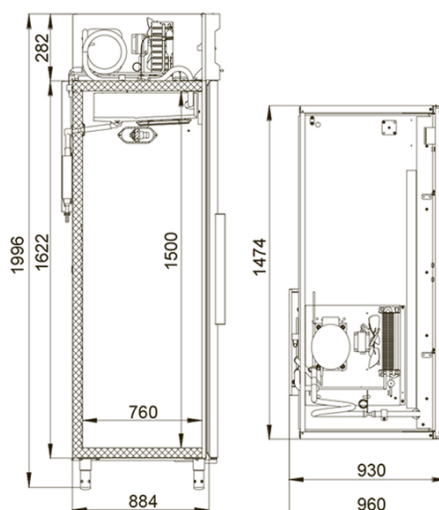
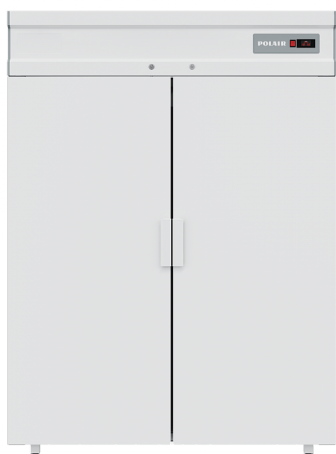


ПРОЕКТ:	
МОДЕЛЬ:	CB114-S
КОЛИЧЕСТВО:	
СОГЛАСОВАНИЕ:	
ДАТА:	17.04.2026



## CB114-S

Recommended retail price: 223 233 rub



### Technical specifications

Volume, l:	1400
Environmental conditions (t, °C / humidity, %):	up to +40 / up to 80
Dimensions:	1474x960x1996
Case wall thickness, mm:	61
Unit location:	upper position
Temperature range, °C:	no higher than -18
Volume, l:	1400
Power supply system, V/Hz:	230/50
Daily power consumption, kW/h, max:	12
Refrigerant:	R290
Defrost type:	automatic, by means of heating elements, with condensate evaporation system
Thermostat:	electronic control unit
Shelf size, mm:	530x650
Number of shelves:	8
Backlight:	+

Material of the interior cladding of the body:	polymer-coated steel
Equipment group:	Profi
Material of the exterior cladding:	Painted galvanized steel
Door type:	Deaf
Series of cabinets:	Standard
Gastronorm standard:	GN 2/1
Lock:	+
Cabinet type:	Low temperature

The manufacturer reserves the right to make changes that do not fundamentally affect the operational properties of the equipment without prior notice.