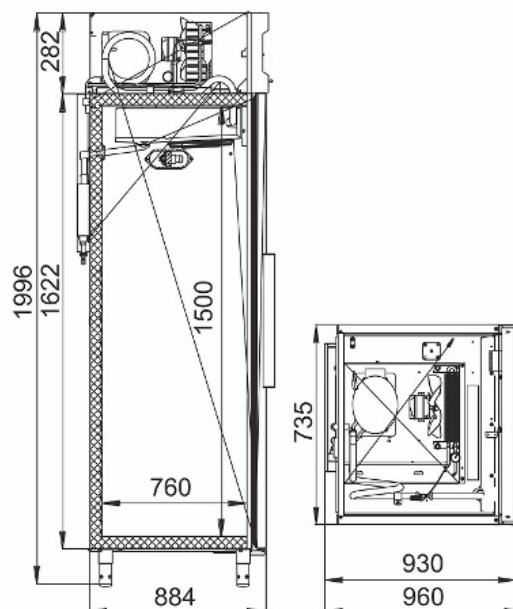




## CB107-G

Recommended retail price: 167 990 rub



### Technical specifications

Volume, l:	700
Environmental conditions (t, °C / humidity, %):	up to +40 / up to 80
Dimensions:	735x960x1996
Case wall thickness, mm:	61
Unit location:	upper position
Temperature range, °C:	no higher than -18
Volume, l:	700
Power supply system, V/Hz:	230/50
Daily power consumption, kW/h, max:	8
Refrigerant:	R290
Defrost type:	automatic
Thermostat:	electronic control unit
Shelf size, mm:	530x650
Number of shelves:	4
Backlight:	LED
Material of the interior cladding of the body:	stainless steel

Equipment group:	Profi
Material of the exterior cladding:	Stainless steel
Door type:	Deaf
Series of cabinets:	Grande
Gastronorm standard:	GN 2/1
Lock:	+
Cabinet type:	Low temperature

The manufacturer reserves the right to make changes that do not fundamentally affect the operational properties of the equipment without prior notice.