

# POLAIR

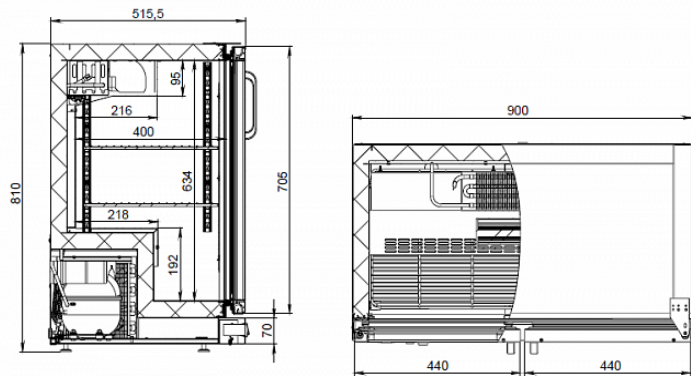
АО «Полаир-Недвижимость»  
425000, Республика Марий Эл,  
г. Волжск, ул. Промбаза, 1  
помещение 6, этаж 1, литер-А3  
[www.polair.com](http://www.polair.com)

ПРОЕКТ: \_\_\_\_\_  
МОДЕЛЬ: TD102-Bar without table top  
КОЛИЧЕСТВО: \_\_\_\_\_  
СОГЛАСОВАНИЕ: \_\_\_\_\_  
ДАТА: 19.04.2026



## TD102-Bar without table top

Recommended retail price: 88 800 rub



### Technical specifications

Environmental conditions (t, °C / humidity, %):	to +32
Dimensions:	900x520x810
Case wall thickness, mm:	43
Number of doors:	2
Temperature range, °C:	+1...+10
Volume, l:	160
Power supply system, V/Hz:	230/50
Table series:	Bar
Power consumption, W, max.:	250
Daily power consumption, kW/h, max:	4
Refrigerant:	R290
Table body covering material:	Black painted galvanized steel
Defrost type:	automatic with condensate evaporation system
Thermostat:	electronic control unit
Table top:	Without table top
Shelf size, mm:	400*360

Number of shelves:	4
Backlight:	LED, vertical
Payload:	25

The manufacturer reserves the right to make changes that do not fundamentally affect the operational properties of the equipment without prior notice.