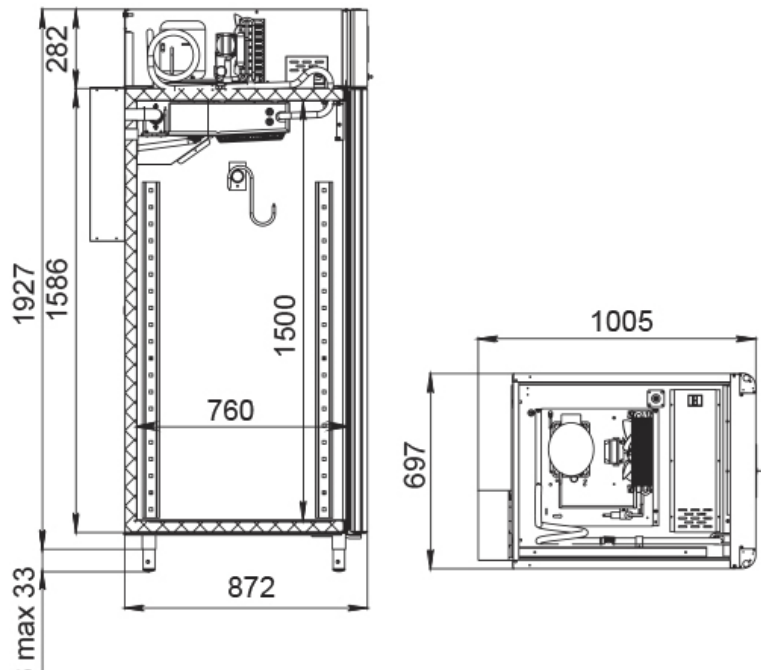


ПРОЕКТ:	
МОДЕЛЬ:	CS107-Meat (with glass door) Type 2
КОЛИЧЕСТВО:	
СОГЛАСОВАНИЕ:	
ДАТА:	15.04.2026



## CS107-Meat (with glass door) Type 2

Recommended retail price: 473 000 rub



### Technical specifications

Environmental conditions (t, °C / humidity, %):	up to +40 / up to 80
Dimensions:	697x1005x1960
Case wall thickness, mm:	43
Unit location:	upper position
Temperature range, °C:	-2...+30
Power supply system, V/Hz:	230/50
Humidity level adjustment (range), %:	60 to 95%
Cooling type:	dynamic with soft blowing without windblowing
Refrigerant:	R290
Backlight:	upright
Material of the interior cladding of the body:	stainless steel
UV lamp:	+
Configuration:	4 perforated shelves in stainless steel, without rod
Pedal:	+

The manufacturer reserves the right to make changes that do not fundamentally affect the operational properties of the equipment without prior notice.