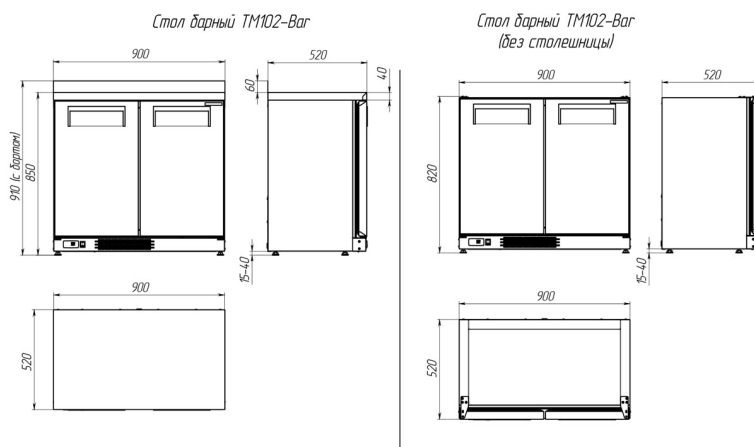




TM102-Bar without side

Recommended retail price: 96 690 rub



Technical specifications

Environmental conditions (t, °C / humidity, %):	to +32
Dimensions:	900x520x850
Case wall thickness, mm:	43
Number of doorways:	2
Number of doors:	2
Casing:	Полностью цельнозаливной
Table depth, mm:	600
Temperature range, °C:	-2...+10
Volume, l:	160
Power supply system, V/Hz:	230/50
Table series:	Bar
Power consumption, W, max.:	250
Daily power consumption, kW/h, max:	3
Cooling type:	Dynamic
Refrigerant:	R290
Table body covering material:	Black painted galvanized steel

Defrost type:	Automatic with condensate evaporation system
Thermostat:	Electronic control unit
Doors/Drawers:	dumbwaiter
Table top:	stainless steel with or without sides
Shelf size, mm:	400x360
Load capacity per shelf, kg:	25
Number of shelves:	4
Lamella pitch, mm:	12,5
Tabletop material:	Stainless steel
Tabletop thickness:	40
Material of the interior cladding of the body:	Black painted galvanized steel

The manufacturer reserves the right to make changes that do not fundamentally affect the operational properties of the equipment without prior notice.