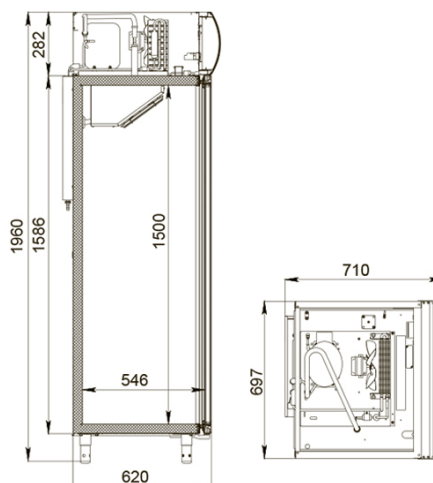




## DM105-S version 2.0

Recommended retail price: 95 500 rub



### Technical specifications

|   |  |
|---|--|
| Volume, l:                                      | 500  |
| Environmental conditions (t, °C / humidity, %): | up to +32/up to 60                           |
| Dimensions:                                     | 697x710x1960                                 |
| Case wall thickness, mm:                        | 43   |
| Unit location:                                  | upper position                               |
| Temperature range, °C:                          | +1...+10                                     |
| Volume, l:                                      | 500  |
| Power supply system, V/Hz:                      | 230/50                                       |
| Power consumption, W, max.:                     | 350  |
| Daily power consumption, kW/h, max:             | 4  |
| Refrigerant:                                    | R290   |
| Defrost type:                                   | automatic with condensate evaporation system |
| Thermostat:                                     | electronic control unit                      |
| Shelf size, mm:                                 | 595x455                                      |
| Number of shelves:                              | 5  |
| Backlight:                                      | LED, vertical                                |

|                                    |                          |
|------------------------------------|--------------------------|
| Equipment group:                   | Profi                    |
| Material of the exterior cladding: | Painted galvanized steel |
| Door type:                         | Glass hinged             |
| Series of cabinets:                | Standard                 |
| Cabinet type:                      | Medium temperature       |

The manufacturer reserves the right to make changes that do not fundamentally affect the operational properties of the equipment without prior notice.