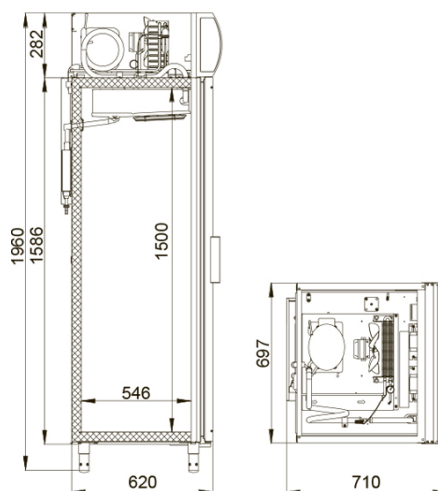




DM105-S

Recommended retail price: 85 500 rub



Technical specifications

Volume, l:	500
Environmental conditions (t, °C / humidity, %):	up to +32/up to 60
Dimensions:	697x710x1960
Unit location:	upper position
Temperature range, °C:	+1...+10
Volume, l:	500
Power supply system, V/Hz:	230/50
Power consumption, W, max.:	350
Daily power consumption, kW/h, max:	4
Refrigerant:	R290
Defrost type:	automatic with condensate evaporation system
Thermostat:	electronic control unit
Shelf size, mm:	595x455
Number of shelves:	4
Backlight:	LED, vertical
Equipment group:	Profi

Material of the exterior cladding:	Painted galvanized steel
Door type:	Glass hinged
Series of cabinets:	Standard
Cabinet type:	Medium temperature

The manufacturer reserves the right to make changes that do not fundamentally affect the operational properties of the equipment without prior notice.