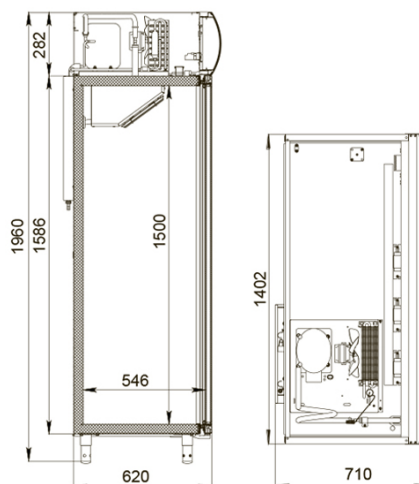




## DM110Sd-S version 2.0

Recommended retail price: 154 400 rub



### Technical specifications

Volume, l:	1000
Environmental conditions (t, °C / humidity, %):	up to +32/up to 60
Dimensions:	1402x710x1960
Case wall thickness, mm:	43
Unit location:	upper position
Temperature range, °C:	+1...+10
Volume, l:	1000
Power supply system, V/Hz:	230/50
Power consumption, W, max.:	550
Refrigerant:	R290
Defrost type:	automatic with condensate evaporation system
Thermostat:	electronic control unit
Shelf size, mm:	645x455
Number of shelves:	10
Backlight:	LED, vertical
Equipment group:	Profi

Material of the exterior cladding:	Painted galvanized steel
Door type:	Glass compartments
Series of cabinets:	Standard
Cabinet type:	Medium temperature

The manufacturer reserves the right to make changes that do not fundamentally affect the operational properties of the equipment without prior notice.