

POLAIR

АО «Полаир-Недвижимость»
425000, Республика Марий Эл,
г. Волжск, ул. Промбаза, 1
помещение 6, этаж 1, литер-А3
www.polair.com

ПРОЕКТ:

МОДЕЛЬ:

DM114Sd-S version 2.0

КОЛИЧЕСТВО:

СОГЛАСОВАНИЕ:

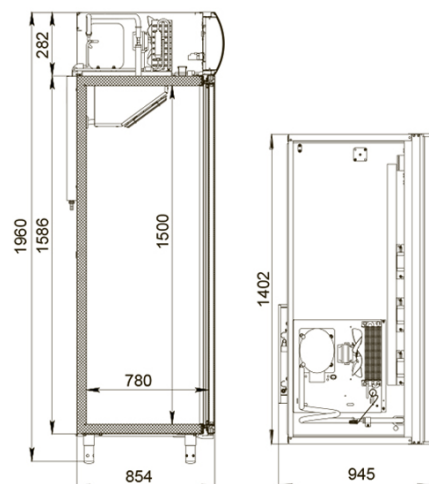
ДАТА:

22.04.2026



DM114Sd-S version 2.0

Recommended retail price: 165 500 rub



Technical specifications

| | |
|---|--|
| Volume, l: | 1400 |
| Environmental conditions (t, °C / humidity, %): | up to +32/up to 60 |
| Dimensions: | 1402x945x1960 |
| Case wall thickness, mm: | 43 |
| Unit location: | upper position |
| Temperature range, °C: | +1...+10 |
| Volume, l: | 1400 |
| Power supply system, V/Hz: | 230/50 |
| Power consumption, W, max.: | 600 |
| Refrigerant: | R290 |
| Defrost type: | automatic with condensate evaporation system |
| Thermostat: | electronic control unit |
| Shelf size, mm: | 595x650 |
| Number of shelves: | 10 |
| Backlight: | LED, vertical |
| Equipment group: | Profi |

| | |
|------------------------------------|--------------------------|
| Material of the exterior cladding: | Painted galvanized steel |
| Door type: | Glass compartments |
| Series of cabinets: | Standard |
| Cabinet type: | Medium temperature |

The manufacturer reserves the right to make changes that do not fundamentally affect the operational properties of the equipment without prior notice.