

# POLAIR

АО «Полаир-Недвижимость»  
425000, Республика Марий Эл,  
г. Волжск, ул. Промбаза, 1  
помещение 6, этаж 1, литер-А3  
[www.polair.com](http://www.polair.com)

ПРОЕКТ:

МОДЕЛЬ:

DP105-S

КОЛИЧЕСТВО:

СОГЛАСОВАНИЕ:

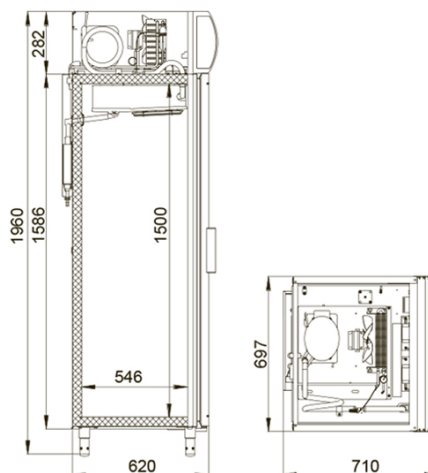
ДАТА:

22.04.2026



## DP105-S

Recommended retail price: 105 500 rub



### Technical specifications

Volume, l:	500
Environmental conditions (t, °C / humidity, %):	up to +32/up to 60
Dimensions:	697x620x1960
Unit location:	upper position
Temperature range, °C:	-8...0
Volume, l:	500
Power supply system, V/Hz:	230/50
Daily power consumption, kW/h, max:	7
Refrigerant:	R290
Defrost type:	automatic, by means of heating elements, with condensate evaporation system
Thermostat:	electronic control unit
Shelf size, mm:	595x455
Number of shelves:	4
Backlight:	LED, vertical
Equipment group:	Profi

Material of the exterior cladding: Painted galvanized steel

Door type: Glass hinged

Series of cabinets: Standard

Cabinet type: For caviar and preserves

The manufacturer reserves the right to make changes that do not fundamentally affect the operational properties of the equipment without prior notice.