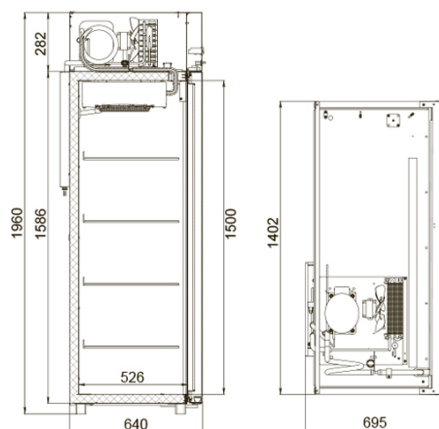
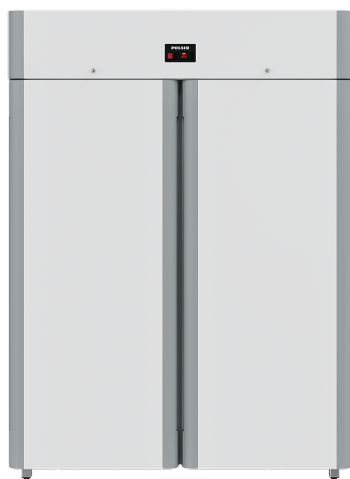


ПРОЕКТ:	
МОДЕЛЬ:	CM110-Sm
КОЛИЧЕСТВО:	
СОГЛАСОВАНИЕ:	
ДАТА:	30.04.2026



CM110-Sm

Recommended retail price: 159 900 rub



Technical specifications

Volume, l:	1000
Environmental conditions (t, °C / humidity, %):	up to +40 / up to 80
Dimensions:	1402x695x1960
Unit location:	upper position
Temperature range, °C:	0...+6
Volume, l:	1000
Power supply system, V/Hz:	230/50
Power consumption, W, max.:	550
Daily power consumption, kW/h, max:	3
Refrigerant:	R290
Defrost type:	automatic with condensate evaporation system
Thermostat:	control panel
Shelf size, mm:	595x455
Number of shelves:	8
Backlight:	+
Microswitch:	keyboard

Equipment group:	Master
Material of the exterior cladding:	Painted galvanized steel
Door type:	Deaf
Series of cabinets:	Sm
Lock:	+
Cabinet type:	Medium temperature
Pedal:	две

The manufacturer reserves the right to make changes that do not fundamentally affect the operational properties of the equipment without prior notice.