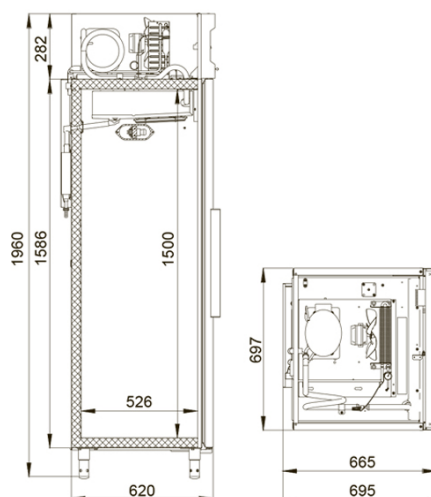
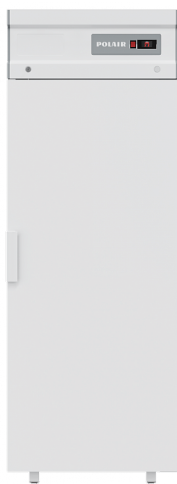


ПРОЕКТ:	
МОДЕЛЬ:	CV105-S
КОЛИЧЕСТВО:	
СОГЛАСОВАНИЕ:	
ДАТА:	30.04.2026



CV105-S

Recommended retail price: 111 989 rub



Technical specifications

Volume, l:	500
Environmental conditions (t, °C / humidity, %):	up to +40 / up to 80
Dimensions:	697x695x1960
Case wall thickness, mm:	43
Unit location:	upper position
Temperature range, °C:	-5...+5
Volume, l:	500
Power supply system, V/Hz:	230/50
Power consumption, W, max.:	400
Daily power consumption, kW/h, max:	5
Refrigerant:	R290
Defrost type:	automatic, by means of heating elements, with condensate evaporation system
Thermostat:	electronic control unit
Shelf size, mm:	595x455
Number of shelves:	4

Backlight:	+
Equipment group:	Profi
Material of the exterior cladding:	Painted galvanized steel
Door type:	Deaf
Series of cabinets:	Standard
Lock:	+
Cabinet type:	Universal

The manufacturer reserves the right to make changes that do not fundamentally affect the operational properties of the equipment without prior notice.