

POLAIR

АО «Полаир-Недвижимость»
425000, Республика Марий Эл,
г. Волжск, ул. Промбаза, 1
помещение 6, этаж 1, литер-А3
www.polair.com

ПРОЕКТ:

МОДЕЛЬ:

CB107-Sm

КОЛИЧЕСТВО:

СОГЛАСОВАНИЕ:

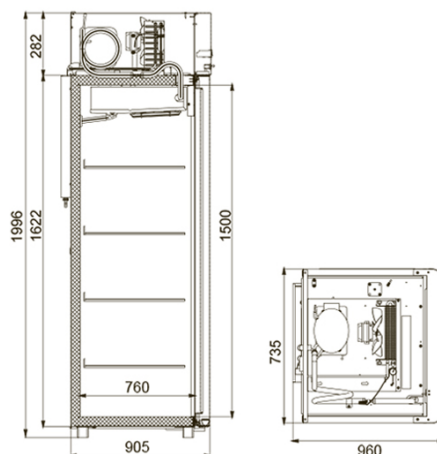
ДАТА:

18.06.2026



CB107-Sm

Recommended retail price: 175 500 rub



Technical specifications

Volume, l:	700
Environmental conditions (t, °C / humidity, %):	up to +40 / up to 80
Dimensions:	735x945x1996
Case wall thickness, mm:	61
Unit location:	upper position
Temperature range, °C:	no higher than -18
Volume, l:	700
Power supply system, V/Hz:	230/50
Daily power consumption, kW/h, max:	8
Refrigerant:	R290
Defrost type:	automatic, by means of heating elements, with condensate evaporation system
Thermostat:	control panel
Shelf size, mm:	530x650
Number of shelves:	4
Backlight:	+

Material of the interior cladding of the body:	polymer-coated steel
Equipment group:	Master
Material of the exterior cladding:	Painted galvanized steel
Door type:	Deaf
Series of cabinets:	Sm
Gastronorm standard:	GN 2/1
Lock:	+
Cabinet type:	Low temperature
Pedal:	одна

The manufacturer reserves the right to make changes that do not fundamentally affect the operational properties of the equipment without prior notice.