

# POLAIR

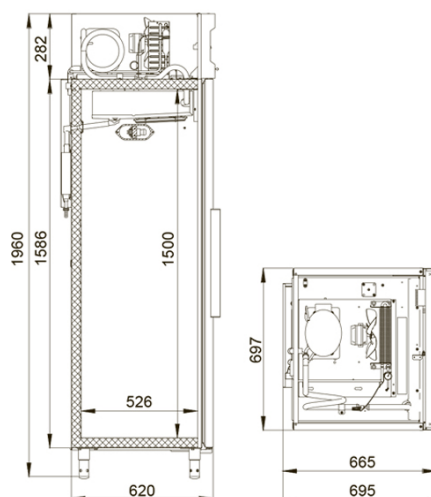
АО «Полаир-Недвижимость»  
425000, Республика Марий Эл,  
г. Волжск, ул. Промбаза, 1  
помещение 6, этаж 1, литер-А3  
[www.polair.com](http://www.polair.com)

ПРОЕКТ: \_\_\_\_\_  
МОДЕЛЬ: CM105-G  
КОЛИЧЕСТВО: \_\_\_\_\_  
СОГЛАСОВАНИЕ: \_\_\_\_\_  
ДАТА: 18.06.2026



## CM105-G

Recommended retail price: 116 116 rub



### Technical specifications

Volume, l:	500
Environmental conditions (t, °C / humidity, %):	up to +40 / up to 80
Dimensions:	697x695x1960
Case wall thickness, mm:	43
Unit location:	upper position
Temperature range, °C:	0...+6
Volume, l:	500
Power supply system, V/Hz:	230/50
Power consumption, W, max.:	350
Daily power consumption, kW/h, max:	3
Refrigerant:	R290
Defrost type:	automatic with condensate evaporation system
Thermostat:	electronic control unit
Shelf size, mm:	595x455
Number of shelves:	4
Backlight:	LED

Material of the interior cladding of the body:	stainless steel
Equipment group:	Profi
Material of the exterior cladding:	Stainless steel
Door type:	Deaf
Series of cabinets:	Grande
Lock:	+
Cabinet type:	Medium temperature

The manufacturer reserves the right to make changes that do not fundamentally affect the operational properties of the equipment without prior notice.