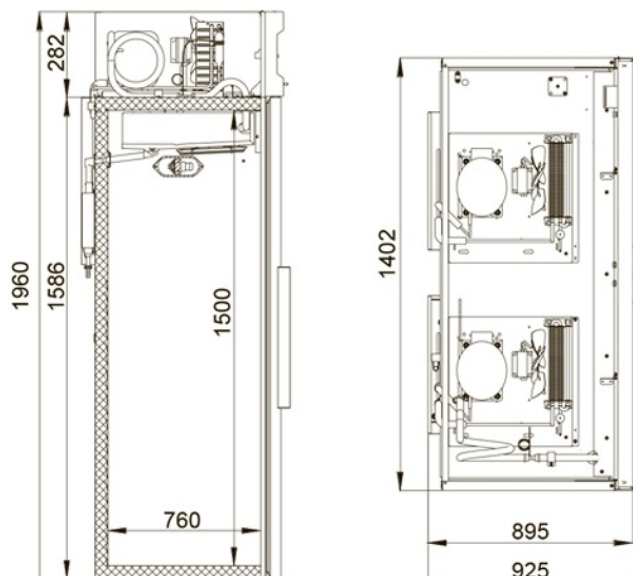




## CC214-G

Recommended retail price: 254 500 rub



### Technical specifications

Volume, l:	700+700
Environmental conditions (t, °C / humidity, %):	up to +40 / up to 80
Dimensions:	1402x925x1960
Case wall thickness, mm:	43
Unit location:	upper position
Temperature range, °C:	0...+6 / not higher than -18
Volume, l:	700+700
Power supply system, V/Hz:	230/50
Power consumption, W, max.:	900
Daily power consumption, kW/h, max:	11
Refrigerant:	R290
Defrost type:	automatic, by means of heating elements (in the low-temperature compartment), with condensate evaporation system
Thermostat:	electronic control unit
Shelf size, mm:	530x650
Number of shelves:	8

Backlight:	+
Material of the interior cladding of the body:	stainless steel
Equipment group:	Profi
Material of the exterior cladding:	Stainless steel
Door type:	Deaf
Series of cabinets:	Grande
Gastronorm standard:	GN 2/1
Lock:	+
Cabinet type:	Combined

The manufacturer reserves the right to make changes that do not fundamentally affect the operational properties of the equipment without prior notice.