

POLAIR

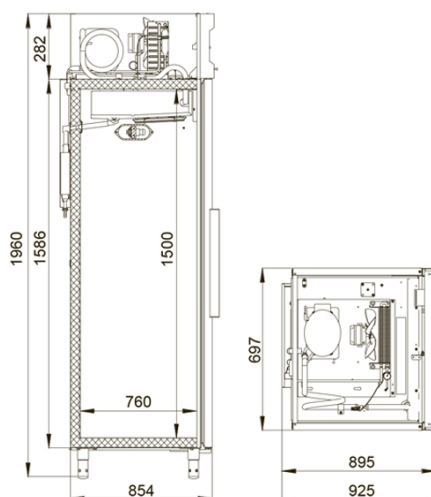
АО «Полаир-Недвижимость»
425000, Республика Марий Эл,
г. Волжск, ул. Промбаза, 1
помещение 6, этаж 1, литер-А3
www.polair.com

ПРОЕКТ: _____
МОДЕЛЬ: CV107-G
КОЛИЧЕСТВО: _____
СОГЛАСОВАНИЕ: _____
ДАТА: 30.04.2026



CV107-G

Recommended retail price: 153 530 rub



Technical specifications

Volume, l:	700
Environmental conditions (t, °C / humidity, %):	up to +40 / up to 80
Dimensions:	697x925x1960
Case wall thickness, mm:	43
Unit location:	upper position
Temperature range, °C:	-5...+5
Volume, l:	700
Power supply system, V/Hz:	230/50
Power consumption, W, max.:	400
Daily power consumption, kW/h, max:	5
Refrigerant:	R290
Defrost type:	automatic with condensate evaporation system
Thermostat:	multifunctional control panel
Shelf size, mm:	530x650
Number of shelves:	4
Backlight:	LED

Material of the interior cladding of the body:	stainless steel
Equipment group:	Profi
Material of the exterior cladding:	Stainless steel
Door type:	Deaf
Series of cabinets:	Grande
Gastronorm standard:	GN 2/1
Lock:	+
Cabinet type:	Universal

The manufacturer reserves the right to make changes that do not fundamentally affect the operational properties of the equipment without prior notice.