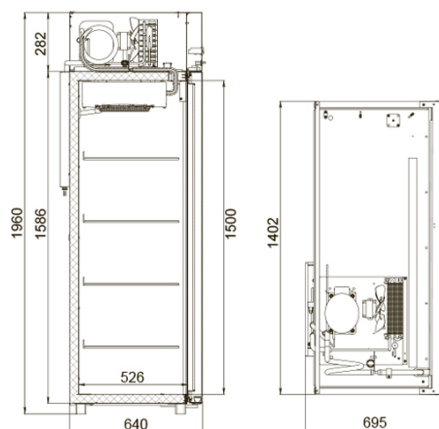


ПРОЕКТ:	
МОДЕЛЬ:	CV110-Gm
КОЛИЧЕСТВО:	
СОГЛАСОВАНИЕ:	
ДАТА:	18.06.2026



CV110-Gm

Recommended retail price: 226 600 rub



Technical specifications

Volume, l:	1000
Environmental conditions (t, °C / humidity, %):	up to +40 / up to 80
Dimensions:	1402x695x1960
Case wall thickness, mm:	43
Unit location:	upper position
Temperature range, °C:	-5...+5
Volume, l:	1000
Power supply system, V/Hz:	230/50
Power consumption, W, max.:	630
Daily power consumption, kW/h, max:	7
Refrigerant:	R290
Defrost type:	automatic with condensate evaporation system
Thermostat:	control panel
Shelf size, mm:	595x455
Number of shelves:	8
Backlight:	LED

Material of the interior cladding of the body:	stainless steel
Equipment group:	Master
Material of the exterior cladding:	Stainless steel
Door type:	Deaf
Series of cabinets:	Gm
Lock:	+
Cabinet type:	Universal
Pedal:	две

The manufacturer reserves the right to make changes that do not fundamentally affect the operational properties of the equipment without prior notice.