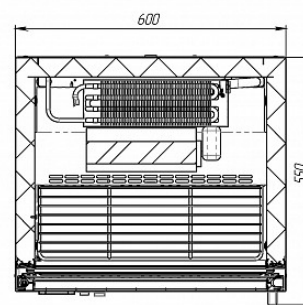
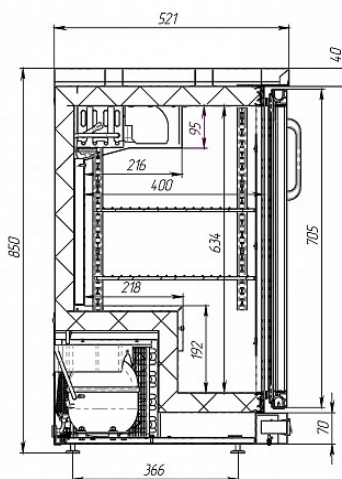




TD101-Bar

Recommended retail price: 77 700 rub



Technical specifications

Environmental conditions (t, °C / humidity, %):	to +32
Dimensions:	600x520x850
Case wall thickness, mm:	43
Number of doors:	1
Temperature range, °C:	+1...+10
Volume, l:	110
Power supply system, V/Hz:	230/50
Table series:	Bar
Power consumption, W, max.:	250
Daily power consumption, kW/h, max:	3
Refrigerant:	R290
Table body covering material:	Black painted galvanized steel
Defrost type:	automatic with condensate evaporation system
Thermostat:	electronic control unit
Table top:	Reinforced in black painted steel without beads
Shelf size, mm:	500x360

Number of shelves:	2
Backlight:	LED, vertical
Payload:	25

The manufacturer reserves the right to make changes that do not fundamentally affect the operational properties of the equipment without prior notice.