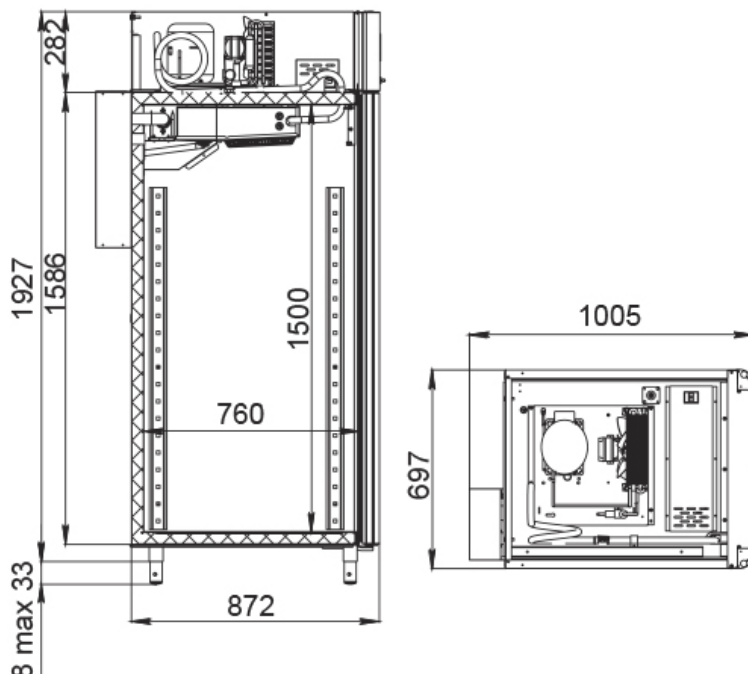




CS107 Cheese (with glass door)

Recommended retail price: 468 000 rub



Technical specifications

Environmental conditions (t, °C / humidity, %):	up to +40 / up to 80
Dimensions:	697x1005x1960
Case wall thickness, mm:	43
Unit location:	upper position
Temperature range, °C:	-2...+30
Power supply system, V/Hz:	230/50
Humidity level adjustment (range), %:	60 to 95%
Daily power consumption, kW/h, max:	8000
Refrigerant:	R290
Backlight:	upright
Material of the interior cladding of the body:	stainless steel
Configuration:	4 perforated stainless steel shelves
Pedal:	+

The manufacturer reserves the right to make changes that do not fundamentally affect the operational properties of the equipment without prior notice.