

# POLAIR

АО «Полаир-Недвижимость»  
425000, Республика Марий Эл,  
г. Волжск, ул. Промбаза, 1  
помещение 6, этаж 1, литер-А3  
[www.polair.com](http://www.polair.com)

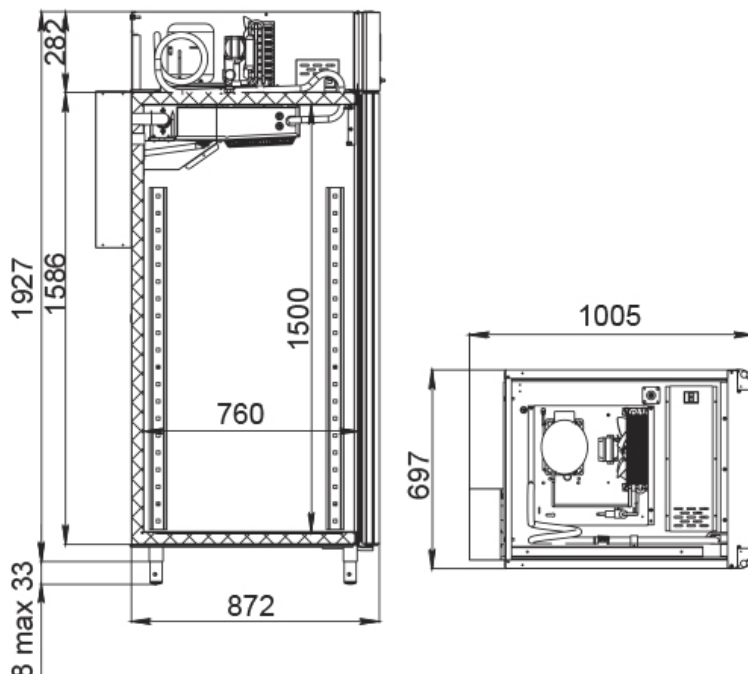
ПРОЕКТ: \_\_\_\_\_  
МОДЕЛЬ: CS107-Cheese

КОЛИЧЕСТВО: \_\_\_\_\_  
СОГЛАСОВАНИЕ: \_\_\_\_\_  
ДАТА: 18.06.2026



## CS107-Cheese

Recommended retail price: 460 000 rub



### Technical specifications

Environmental conditions (t, °C / humidity, %):	up to +40 / up to 80
Dimensions:	697x1005x1960
Case wall thickness, mm:	43
Unit location:	upper position
Temperature range, °C:	-2...+30
Power supply system, V/Hz:	230/50
Humidity level adjustment (range), %:	60 to 95%
Daily power consumption, kW/h, max:	8000
Cooling type:	dynamic with soft blowing without windblowing
Refrigerant:	R290
Defrost type:	automatic with condensate evaporation system
Backlight:	upright
Material of the interior cladding of the body:	stainless steel
Configuration:	4 perforated stainless steel shelves
Pedal:	+

The manufacturer reserves the right to make changes that do not fundamentally affect the operational properties of the equipment without prior notice.