

POLAIR

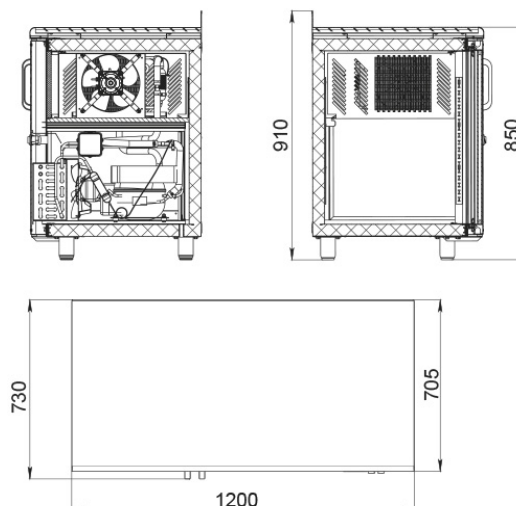
АО «Полаир-Недвижимость»
425000, Республика Марий Эл,
г. Волжск, ул. Промбаза, 1
помещение 6, этаж 1, литер-А3
www.polair.com

ПРОЕКТ: _____
МОДЕЛЬ: TD2GN-G
КОЛИЧЕСТВО: _____
СОГЛАСОВАНИЕ: _____
ДАТА: 18.06.2026



TD2GN-G

Recommended retail price: 133 702 rub



Technical specifications

| | |
|---|---|
| Environmental conditions (t, °C / humidity, %): | to +32 |
| Dimensions: | 1200x705x850/910 |
| Case wall thickness, mm: | 43 |
| Unit location: | double-drawer |
| Number of doorways: | 3 |
| Table depth, mm: | 700 |
| Temperature range, °C: | +1...+10 |
| Volume, l: | 320 |
| Power supply system, V/Hz: | 230/50 |
| Unit location: | Side |
| Table series: | Grande - the classic series with maximum assortment |
| Power consumption, W, max.: | 350 |
| Cooling type: | dynamic |
| Refrigerant: | R290 |
| Table body covering material: | Stainless steel |
| Defrost type: | automatic with condensate evaporation system |

| | |
|--|---------------------------------------|
| Thermostat: | electrical unit |
| Doors/Drawers: | glass-door |
| Table top: | stainless steel with or without sides |
| Number of shelves: | 2 |
| Backlight: | internal LED |
| Material of the interior cladding of the body: | stainless steel |
| GN1/1 guide: | + |

The manufacturer reserves the right to make changes that do not fundamentally affect the operational properties of the equipment without prior notice.