

# POLAIR

АО «Полаир-Недвижимость»  
425000, Республика Марий Эл,  
г. Волжск, ул. Промбаза, 1  
помещение 6, этаж 1, литер-А3  
[www.polair.com](http://www.polair.com)

ПРОЕКТ:

МОДЕЛЬ:

TDi3-G

КОЛИЧЕСТВО:

СОГЛАСОВАНИЕ:

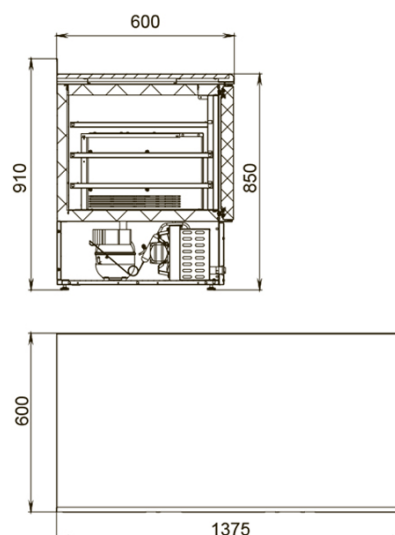
ДАТА:

18.06.2026



## TDi3-G

Recommended retail price: 164 546 rub



### Technical specifications

Environmental conditions (t, °C / humidity, %):	to +32
Dimensions:	1375x600x850/910
Case wall thickness, mm:	43
Number of doorways:	3
Table depth, mm:	600
Temperature range, °C:	+1...+10
Volume, l:	230
Power supply system, V/Hz:	230/50
Unit location:	Lower
Table series:	Grande - the classic series with maximum assortment
Power consumption, W, max.:	350
Cooling type:	dynamic
Refrigerant:	R290
Table body covering material:	Stainless steel
Defrost type:	automatic with condensate evaporation system
Thermostat:	electrical unit

Doors/Drawers:	glass-door
Table top:	stainless steel with or without sides
Number of shelves:	3
Shelf material:	Painted galvanized wire
Backlight:	internal LED
Tabletop material:	stainless steel
Material of the interior cladding of the body:	stainless steel
GN1/1 guide:	-

The manufacturer reserves the right to make changes that do not fundamentally affect the operational properties of the equipment without prior notice.