

POLAIR

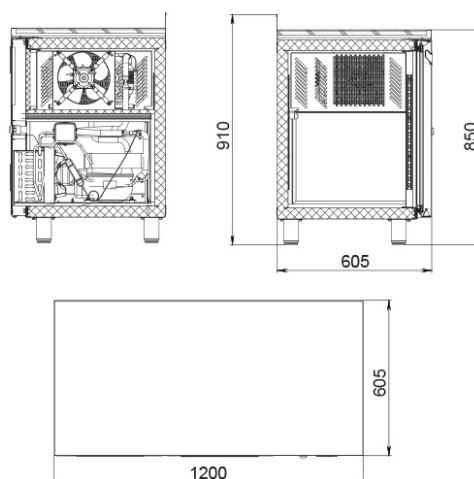
АО «Полаир-Недвижимость»
425000, Республика Марий Эл,
г. Волжск, ул. Промбаза, 1
помещение 6, этаж 1, литер-А3
www.polair.com

ПРОЕКТ: _____
МОДЕЛЬ: TM2-GC
КОЛИЧЕСТВО: _____
СОГЛАСОВАНИЕ: _____
ДАТА: 30.04.2026



TM2-GC

Recommended retail price: 115 149 rub



Technical specifications

Environmental conditions (t, °C / humidity, %):	Up to +43/up to 80
Dimensions:	1200x605x850/910
Case wall thickness, mm:	43
Number of doorways:	2
Casing:	Полностью цельнозаливной
Table depth, mm:	600
Temperature range, °C:	-2...+10
Volume, l:	270
Power supply system, V/Hz:	230/50
Unit location:	Side
Table series:	GC - cubic design tables
Power consumption, W, max.:	300
Daily power consumption, kW/h, max:	3
Cooling type:	Dynamic
Refrigerant:	R290
Table body covering material:	Stainless steel

Defrost type:	Automatic with condensate evaporation system
Thermostat:	Electrical unit
Doors/Drawers:	dumbwaiter
Table top:	stainless steel with or without sides
Number of shelves:	2
Tabletop material:	Stainless steel
Tabletop thickness:	40
Flange height, mm:	60
GN1/1 guide:	-
IP24:	-
Number of doorway frames:	2

The manufacturer reserves the right to make changes that do not fundamentally affect the operational properties of the equipment without prior notice.