

POLAIR

АО «Полаир-Недвижимость»
425000, Республика Марий Эл,
г. Волжск, ул. Промбаза, 1
помещение 6, этаж 1, литер-А3
www.polair.com

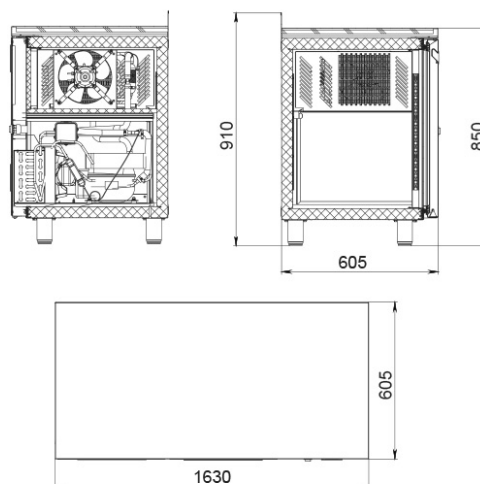
ПРОЕКТ:
МОДЕЛЬ: TM3-012-GC

КОЛИЧЕСТВО:
СОГЛАСОВАНИЕ:
ДАТА: 18.06.2026



TM3-012-GC

Recommended retail price: 174 957 rub



Technical specifications

Environmental conditions (t, °C / humidity, %):	up to +43/up to 80
Dimensions:	1628x605x850/910
Case wall thickness, mm:	43
Number of doorways:	3
Table depth, mm:	600
Temperature range, °C:	-2...+10
Volume, l:	400
Power supply system, V/Hz:	230/50
Unit location:	Side
Table series:	GC - cubic design tables
Power consumption, W, max.:	350
Cooling type:	dynamic
Refrigerant:	R290
Table body covering material:	Stainless steel
Defrost type:	automatic with condensate evaporation system
Thermostat:	electrical unit

Doors/Drawers:	dumbwaiter; crated
Table top:	stainless steel with or without sides
Number of shelves:	1
Shelf material:	Painted galvanized wire
Tabletop material:	stainless steel
Tabletop thickness:	40
Flange height, mm:	60
Material of the interior cladding of the body:	stainless steel
GN1/1 guide:	-

The manufacturer reserves the right to make changes that do not fundamentally affect the operational properties of the equipment without prior notice.