

POLAIR

АО «Полаир-Недвижимость»
425000, Республика Марий Эл,
г. Волжск, ул. Промбаза, 1
помещение 6, этаж 1, литер-А3
www.polair.com

ПРОЕКТ:

МОДЕЛЬ:

TM3-222-G

КОЛИЧЕСТВО:

СОГЛАСОВАНИЕ:

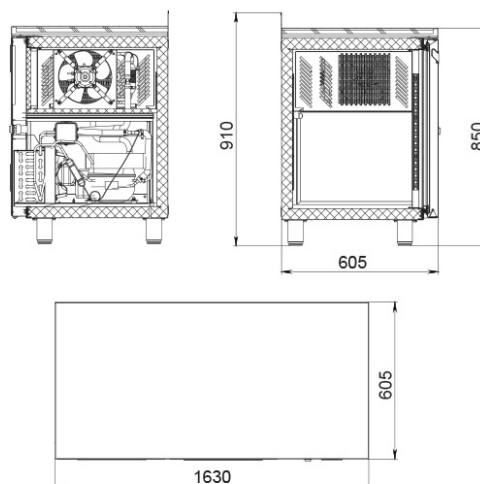
ДАТА:

18.06.2026



TM3-222-G

Recommended retail price: 245 165 rub



Technical specifications

Environmental conditions (t, °C / humidity, %):	Up to +43/up to 80
Dimensions:	1630x605x850/910
Case wall thickness, mm:	43
Number of doorways:	3
Casing:	Полностью цельнозаливной
Table depth, mm:	600
Temperature range, °C:	-2...+10
Volume, l:	400
Power supply system, V/Hz:	230/50
Unit location:	Side
Table series:	Grande - the classic series with maximum assortment
Power consumption, W, max.:	320
Daily power consumption, kW/h, max:	3
Cooling type:	Dynamic
Refrigerant:	R290
Table body covering material:	Stainless steel

Defrost type:	Automatic with condensate evaporation system
Thermostat:	Electrical unit
Doors/Drawers:	crated
Table top:	stainless steel with or without sides
Shelf material:	Painted galvanized wire
Tabletop material:	Stainless steel
Tabletop thickness:	40
Flange height, mm:	60
GN1/1 guide:	-
IP24:	+

The manufacturer reserves the right to make changes that do not fundamentally affect the operational properties of the equipment without prior notice.