

# POLAIR

АО «Полаир-Недвижимость»  
425000, Республика Марий Эл,  
г. Волжск, ул. Промбаза, 1  
помещение 6, этаж 1, литер-А3  
[www.polair.com](http://www.polair.com)

ПРОЕКТ:

МОДЕЛЬ:

TM3GN-222-G

КОЛИЧЕСТВО:

СОГЛАСОВАНИЕ:

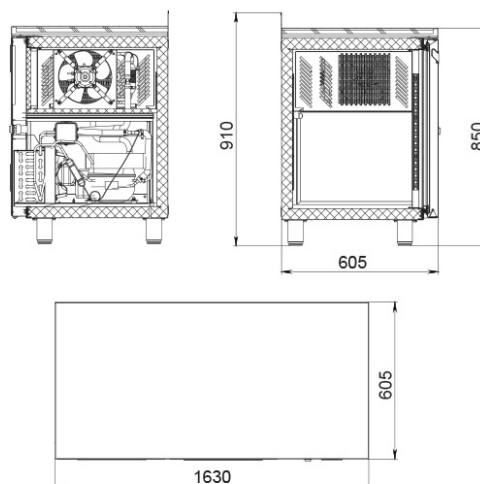
ДАТА:

30.04.2026



## TM3GN-222-G

Recommended retail price: 250 095 rub



### Technical specifications

Environmental conditions (t, °C / humidity, %):	up to +43/up to 80
Dimensions:	1630x705x850/910
Case wall thickness, mm:	43
Number of doorways:	3
Table depth, mm:	700
Temperature range, °C:	-2...+10
Volume, l:	450
Power supply system, V/Hz:	230/50
Unit location:	Side
Table series:	Grande - the classic series with maximum assortment
Power consumption, W, max.:	350
Cooling type:	dynamic
Refrigerant:	R290
Table body covering material:	Stainless steel
Defrost type:	automatic with condensate evaporation system
Thermostat:	electrical unit

Doors/Drawers:	crated
Table top:	stainless steel with or without sides
Shelf material:	Painted galvanized wire
Tabletop thickness:	40
Flange height, mm:	60
Material of the interior cladding of the body:	stainless steel
GN1/1 guide:	+

The manufacturer reserves the right to make changes that do not fundamentally affect the operational properties of the equipment without prior notice.