

POLAIR

АО «Полаир-Недвижимость»
425000, Республика Марий Эл,
г. Волжск, ул. Промбаза, 1
помещение 6, этаж 1, литер-А3
www.polair.com

ПРОЕКТ:

МОДЕЛЬ:

TB3GN-GC

КОЛИЧЕСТВО:

СОГЛАСОВАНИЕ:

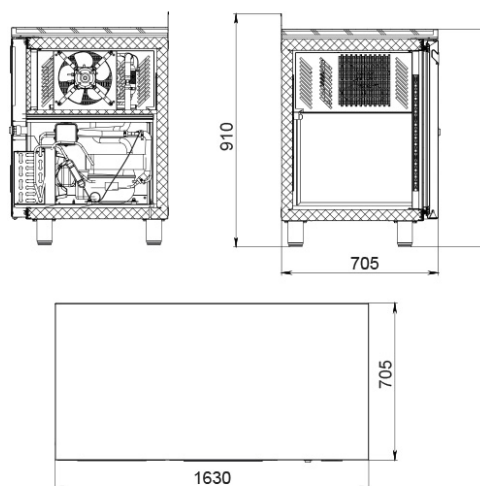
ДАТА:

18.06.2026



TB3GN-GC

Recommended retail price: 168 231 rub



Technical specifications

| | |
|---|--------------------------|
| Environmental conditions (t, °C / humidity, %): | Up to +25/ up to 60 |
| Dimensions: | 1630x705x850/910 |
| Case wall thickness, mm: | 43 |
| Number of doorways: | 3 |
| Casing: | Полностью цельнозаливной |
| Table depth, mm: | 700 |
| Temperature range, °C: | no higher than -18 |
| Volume, l: | 450 |
| Power supply system, V/Hz: | 230/50 |
| Unit location: | Side |
| Table series: | GC - cubic design tables |
| Power consumption, W, max.: | 550 |
| Daily power consumption, kW/h, max: | 8 |
| Cooling type: | Dynamic |
| Refrigerant: | R290 |
| Table body covering material: | Stainless steel |

| | |
|---------------------|---|
| Defrost type: | Automatic, by means of heating elements, with condensate evaporation system |
| Thermostat: | Electrical unit |
| Doors/Drawers: | dumbwaiter |
| Table top: | stainless steel with or without sides |
| Number of shelves: | 3 |
| Shelf material: | Painted galvanized wire |
| Tabletop material: | Stainless steel |
| Tabletop thickness: | 40 |
| Flange height, mm: | 60 |
| GN1/1 guide: | + |
| IP24: | - |

The manufacturer reserves the right to make changes that do not fundamentally affect the operational properties of the equipment without prior notice.