

POLAIR

АО «Полаир-Недвижимость»
425000, Республика Марий Эл,
г. Волжск, ул. Промбаза, 1
помещение 6, этаж 1, литер-А3
www.polair.com

ПРОЕКТ:

МОДЕЛЬ:

TBi4-GC (R290)

КОЛИЧЕСТВО:

СОГЛАСОВАНИЕ:

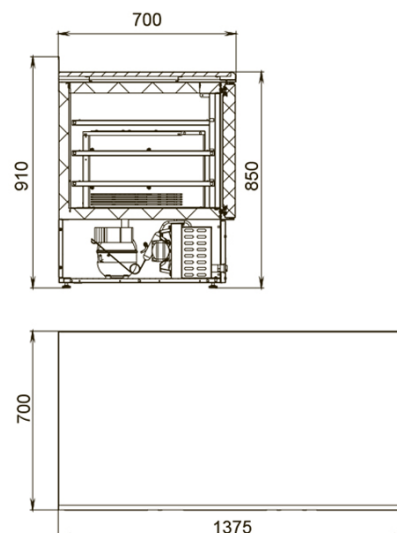
ДАТА:

18.06.2026



TBi4-GC (R290)

Recommended retail price: 199 439 rub



Technical specifications

Environmental conditions (t, °C / humidity, %):	up to +25
Dimensions:	1850x600x850/910
Case wall thickness, mm:	43
Number of doorways:	4
Table depth, mm:	600
Temperature range, °C:	no higher than -18
Volume, l:	306
Power supply system, V/Hz:	230/50
Unit location:	Lower
Table series:	GC - cubic design tables
Power consumption, W, max.:	550
Cooling type:	dynamic
Refrigerant:	R290
Table body covering material:	Stainless steel
Defrost type:	automatic, by means of heating elements, with condensate evaporation system

Thermostat:	electrical unit
Doors/Drawers:	dumbwaiter
Table top:	stainless steel with or without sides
Number of shelves:	4
Tabletop material:	stainless steel
Tabletop thickness:	40
Material of the interior cladding of the body:	stainless steel
GN1/1 guide:	-

The manufacturer reserves the right to make changes that do not fundamentally affect the operational properties of the equipment without prior notice.