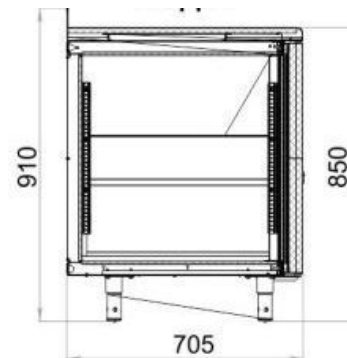
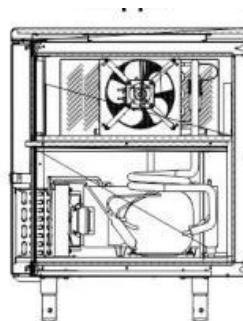




## TB4GN-G

Recommended retail price: 213 857 rub



### Technical specifications

Environmental conditions (t, °C / humidity, %):	Up to +25/ up to 60
Dimensions:	2060x705x850/910
Case wall thickness, mm:	43
Number of doorways:	4
Casing:	Полностью цельнозаливной
Table depth, mm:	700
Temperature range, °C:	no higher than -18
Volume, l:	600
Power supply system, V/Hz:	230/50
Unit location:	Side
Table series:	Grande - the classic series with maximum assortment
Power consumption, W, max.:	600
Cooling type:	Dynamic
Daily electricity consumption, kWh, max. R290:	9
Refrigerant:	R290
Table body covering material:	Stainless steel

Defrost type:	Automatic, by means of heating elements, with condensate evaporation system
Thermostat:	Electrical unit
Doors/Drawers:	dumbwaiter
Table top:	stainless steel with or without sides
Number of shelves:	4
Shelf material:	Painted galvanized wire
Tabletop material:	Stainless steel
Tabletop thickness:	40
Flange height, mm:	60
GN1/1 guide:	+
IP24:	+

The manufacturer reserves the right to make changes that do not fundamentally affect the operational properties of the equipment without prior notice.