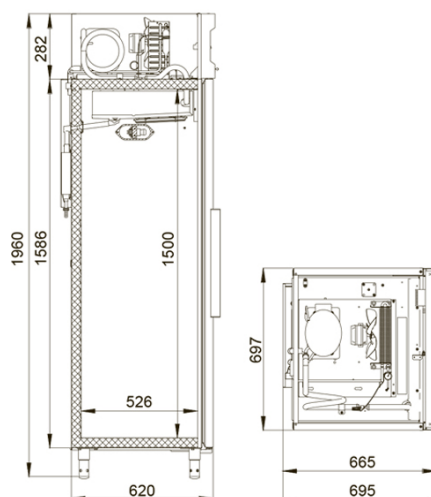
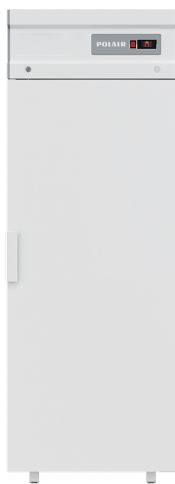




CM105-S

Recommended retail price: 83 990 rub



Technical specifications

Volume, l:	500
Environmental conditions (t, °C / humidity, %):	up to +40 / up to 80
Dimensions:	697x695x1960
Case wall thickness, mm:	43
Unit location:	upper position
Temperature range, °C:	0...+6
Volume, l:	500
Power supply system, V/Hz:	230/50
Power consumption, W, max.:	350
Daily power consumption, kW/h, max:	3
Cooling type:	dynamic
Refrigerant:	R290
Defrost type:	automatic with condensate evaporation system
Thermostat:	electronic control unit
Shelf size, mm:	595x455
Load capacity per shelf, kg:	40

Number of shelves:	4
Backlight:	+
Equipment group:	Profi
Material of the exterior cladding:	Painted galvanized steel
Door type:	Deaf
Series of cabinets:	Standard
Lock:	+
Cabinet type:	Medium temperature

The manufacturer reserves the right to make changes that do not fundamentally affect the operational properties of the equipment without prior notice.