

POLAIR

АО «Полаир-Недвижимость»
425000, Республика Марий Эл,
г. Волжск, ул. Промбаза, 1
помещение 6, этаж 1, литер-А3
www.polair.com

ПРОЕКТ:

МОДЕЛЬ:

TM2ENvt-G

КОЛИЧЕСТВО:

СОГЛАСОВАНИЕ:

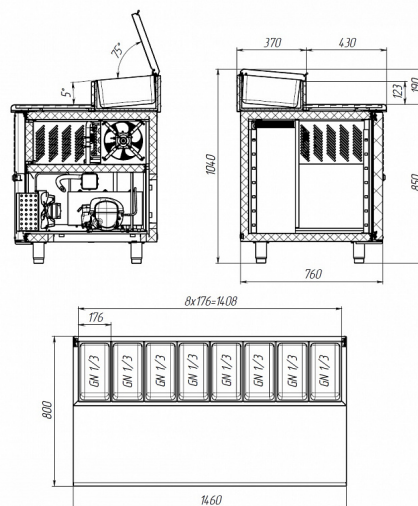
ДАТА:

30.04.2026



TM2ENvt-G

Recommended retail price: 199 900 rub



Technical specifications

Gastronorm pans, pcs.:	8
Number of levels:	7 EN400x600
Volume, l:	390
Distance between guide rails, mm:	76
Environmental conditions (t, °C / humidity, %):	up to +32/up to 60
Dimensions:	1460x800x850/1040
Case wall thickness, mm:	43
Temperature range, °C:	-2...+10/0...+10
Volume, l:	390
Power supply system, V/Hz:	230/50
Unit location:	Side
Power consumption, W, max.:	350
Cooling type:	dynamic
Refrigerant:	R290
Table body covering material:	Stainless steel
Defrost type:	automatic with condensate evaporation system

Thermostat:	electrical unit
Doors/Drawers:	Blind doors
Table top:	Reinforced
Tabletop material:	Stainless steel
Material of the interior cladding of the body:	Stainless steel

The manufacturer reserves the right to make changes that do not fundamentally affect the operational properties of the equipment without prior notice.